

**THE  
WATER  
PEOPLE**



**Hydromix™**

## Hydromix High-Rise (Ambient & Boiling)

### HOME PRODUCTS

Countertop Water Filters  
Crocks  
Under Bench Filter Systems  
Reverse Osmosis Purifiers  
Shower and Bath filters  
Baby and Children  
Fridge Filters  
e-Tap  
Boiling Drinking water  
Boiling and Ambient  
Drinking Water  
Boiling and Chilled  
Drinking Water  
Faucet Options

### OFFICE PRODUCTS

Floor Standing Bubblers  
Coolers  
Chilled Water  
e-Tap  
Boiling Drinking water  
Boiling and Ambient  
Drinking Water  
Boiling and Chilled  
Drinking Water

### TRAVEL PRODUCTS

### INDUSTRIAL PRODUCTS



The HYDROMIX® High-Rise tap provides outstanding quality filtered, ambient and boiling hot drinking water at the turn of the handle.

Also, as the tap is classified as an under bench system it eliminates the potential for splashing, which is why it is preferred by Occupational Health & Safety personnel in major institutions.

Unlike many taps on the market, the HYDROMIX® High-Rise tap uses the natural flow of the water supply to push the boiling water out of the tap, which eliminates the use of an electrical pump. The water arrives and ceases immediately—no time delay.

An electronic control unit is an integral part of the element, which maintains a temperature within one degree celsius of set point—boil dry protection.

**Natural flow  
water -  
no time delay**



### The Water People

22 High Street,  
Glen Iris 3146  
Ph: 03 9885 0222  
Fax: 03 9885 6541  
[www.waterpeople.com.au](http://www.waterpeople.com.au)  
[sales@waterpeople.com.au](mailto:sales@waterpeople.com.au)

**Your Clear Choice**

THE  
WATER  
PEOPLE



# Hydromix™

## Hydromix High-Rise (Ambient & Boiling)

### Specifications

- Solid brass tap
- Ceramic disc lever action tap handle for smooth operation and long life
- No expensive pumps, solenoid valves or drainage required
- Venturi system only requires water pressure to operate
- Fewer filter changes as larger capacity filters are provided
- 7 year pro rata warranty
- 10 amp power supply for standard installation
- Ceramic disc lever action tap handle
- Boiling water module to be connected under bench, only the tap dispenser is visible
- Filter system for all area and combined dual check valve with 350 kpa P.L.V supplied for installation
- Optional remote controlled boiling water safety cut off system

### Selection Chart

To select the correct size unit for your needs, determine how many cups of boiling water are required at any one time, then choose the corresponding model from the chart below.

Model No.	No. of Cups Served	Rating KW.	Boiling Cups/h Recovery	Phase / Voltage	Height mm	Width mm	Depth mm
Hm10	10	1.8	90	1/240	335	180	150
Hm20	20	2.4	110	1/240	325	245	290
Hm40	40	2.4	110	1/240	480	245	290
Hm60	60	2.4	110	1/240	480	300	345

7 year  
pro rata  
warranty



### The Water People

22 High Street,

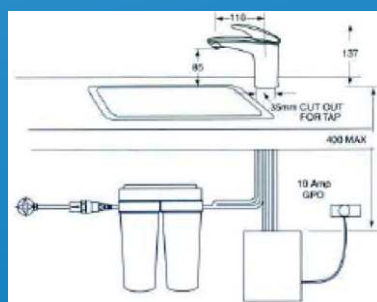
Glen Iris 3146

Ph: 03 9885 0222

Fax: 03 9885 6541

[www.waterpeople.com.au](http://www.waterpeople.com.au)

[sales@waterpeople.com.au](mailto:sales@waterpeople.com.au)



Your Clear Choice