

**THE  
WATER  
PEOPLE**



## InSinkErator Indulge™ Contemporary Dispenser (near-boiling and near-boiling/ambient)

### HOME PRODUCTS

Countertop Water Filters  
Crocks  
Under Bench Filter Systems  
Reverse Osmosis Purifiers  
Shower and Bath filters  
Baby and Children  
Fridge Filters  
e-Tap  
Boiling Drinking water  
Boiling and Ambient  
Drinking Water  
Boiling and Chilled  
Drinking Water  
Faucet Options

### OFFICE PRODUCTS

Floor Standing Bubblers  
Coolers  
Chilled Water  
e-Tap  
Boiling Drinking water  
Boiling and Ambient  
Drinking Water  
Boiling and Chilled  
Drinking Water

### TRAVEL PRODUCTS

### INDUSTRIAL PRODUCTS



The InSinkErator Indulge™ Contemporary Dispenser seamlessly blends form with function.

Not only does it deliver near-boiling 98°C water and ambient drinking water on-the-fly, the tap comes in chrome or brushed chrome finish.

No kettles, no leads, no clutter, no fuss....just 98°C near boiling and ambient filtered water at the flick of a lever.

#### Features:

- 2 models: Near Boiling and Ambient Filtered Water (WP9010A)  
Near Boiling Filtered Water (WP9010B)
- Small office or domestic applications
- Timesaving, safe and convenient
- Ergonomic and easy to use lever tap
- Uses less energy than a 40 watt light bulb. You only heat as much water as you need
- Automatic shut-off hot water lever for safety
- Very compact hot water tank fitted out of sight under your bench
- Includes filter system to enhance the taste and quality of the water

**InSinkErator  
brings style to  
your kitchen**



### The Water People

22 High Street,  
Glen Iris 3146

Ph: 03 9885 0222

Fax: 03 9885 6541

[www.waterpeople.com.au](http://www.waterpeople.com.au)

[sales@waterpeople.com.au](mailto:sales@waterpeople.com.au)

**Your Clear Choice**

**THE  
WATER  
PEOPLE**



# InSinkErator

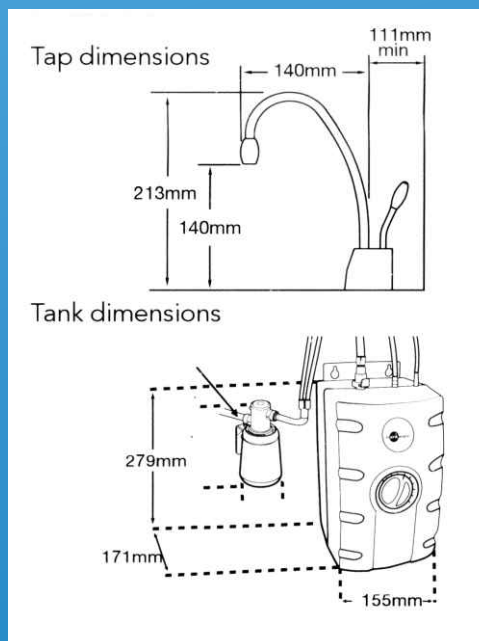
## Indulge™ Contemporary Dispenser (near-boiling and near-boiling/ambient)

Do your bit for the environment, you only heat as much water as you need, the taps are energy efficient and economical...saving you money every time they are used.

InSinkErator steaming hot water tap is approximately 20% less expensive to operate than a standard kettle when heating water.

### Specifications:

- Flow rate - up to 100 cups of filtered steaming hot water of 98°C
- Capacity - 2.5 litre stainless steel tank
- Electrical - 220-240V, A.C. 1300 watts
- Weight - 5.5kg
- Warranty - 2 years in home warranty
- Dimensions - width 155mm x depth 171mm x height 279mm



### The Water People

22 High Street,  
Glen Iris 3146

Ph: 03 9885 0222

Fax: 03 9885 6541

[www.waterpeople.com.au](http://www.waterpeople.com.au)

[sales@waterpeople.com.au](mailto:sales@waterpeople.com.au)

With their elegantly sleek lines, InSinkErator models don't just bring style to the kitchen; they bring a level of convenience that fits today's busy lifestyles.

Once you have one, you'll wonder how you ever did without it.

**Your Clear Choice**